

# Lacté

The Milk Masters



## Solo Elite

Electric Rechargeable  
reastpump

Register your warranty online at

[www.go-lacte.com](http://www.go-lacte.com)



All parts of Lacté are BPA free

**GMTA Asia Sdn Bhd**

12, Jalan TK2/1C, Taman Kinrara, Seksyen 2, 47100 Puchong, Selangor, Malaysia

Tel: +603-8080 5262 Email: [info@gmta.asia](mailto:info@gmta.asia) Website: [www.go-lacte.com](http://www.go-lacte.com)

# Table of contents

Congratulations	i
Intended Use	
Important safety information	1
Product description	2
Preparing the pump	3
Expression	5
Storing and Thawing Breastmilk	6
Cleaning	7
Troubleshooting	8
Technical Data	9
Warranty	9



# Congratulations!

Thank you for choosing Lacté Solo Elite Rechargeable Electric Breastpump. It has been known that breastmilk is the best natural food for your baby. With our collaboration with the breastfeeding experts and research with the lovely breastfeeding mothers who are determine to give the best to their babies, just like you, Lacté fulfils the breastfeeding mothers needs where the circumstances do not make breastfeeding possible. Milking made easy.

Lacté Solo Rechargeable Electric Breastpump - Unrivalled features at its price point

- Built-in With High Capacity Rechargeable Battery, up to 8 cycles at single full charge.
- Touch button
- Unique Soft Breast Shield design, reacting to the pumping rhythm which mimic baby's suckling, for maximum comfort and stimulation.
- Closed System with Anti-backflow.
- 2 Phase Expression- Stimulation Phase & Expression Phase.
- 9 Steps Suction Control.
- Easy to read display.
- Compact and light weight for maximum portability.
- Silent operation.

## **Intended use**

Lacté Solo Elite Rechargeable Electric Breastpump is used to express milk from the breasts of lactating women. The Breastpump may be used to relieve engorgement, a painful condition whereby the breasts are overfull, possibly preventing a proper latch by the infant. A Breastpump may also be used in the event if an infant does not latch properly for direct breast-feeding a the mother still desires the benefits of breast milk.

# Important safety information

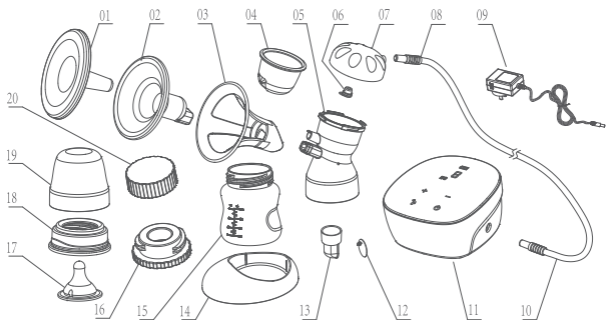
Failure to follow these instructions/ safety information can lead to danger from the device.

- Unplug the AC adapter from wall socket outlet when the pump is not in use
- Do not leave Solo Elite Rechargeable Electric Breastpump unattended when plugged into a power source
- Keep the device dry and do not immerse in water
- Do not reach for an electrical device if it has fallen into water. Unplug immediately.
- Repairs must be conducted by authorised service agencies

## **Warning**

- This is a single user product. Use by more than one person may present a health risk.
- Supervision is required when the Solo Elite Rechargeable Electric Breastpump is used in the vicinity of children.
- Use the Solo Elite Rechargeable Electric Breastpump only for its intended use as described in this manual.
- Do not use the Solo Elite Rechargeable Electric Breastpump while sleeping or overly drowsy.
- Do not operate the Solo Elite Rechargeable Electric Breastpump if it is physically damaged or abused.
- Do not place the Solo Elite Rechargeable Electric Breastpump near any appliances generating a strong magnetic field.
- Do not place the Solo Elite Rechargeable Electric Breastpump under direct sunlight.

## Product description



01 Dust Cover	X1	11 Main Pump Unit	X1
02 Breast Shield	X1	12 Valve Membrane	X1
03 Breast Shield Frame	X1	13 Valve Body	X1
04 Diaphragm	X1	14 Bottle Stand	X1
05 Main Breast Shield Body	X1	15 120ml Wide neck Bottle	X1
06 Cap Plug	X1	16 Bottle Adapter	X1
07 Cap	X1	17 Nipple Teat	X1
08 Tube Connector	X2	18 Bottle Ring	X1
09 Power Adapter	X1	19 Bottle Cap	X1
10 Tubing	X1	20 Bottle Lid	X1

## Preparing the pump

### Warning

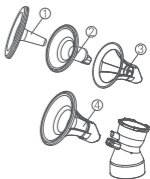
ONLY USE THE POWER ADAPTER SUPPLIED WITH THE Solo ELECTRIC BREASTPUMP  
MAKE SURE THE POWER ADAPTER IS COMPATIBLE WITH THE POWER SOURCE

Before each use, sterilise all parts that have direct contact with breast milk: Bottle, Breast Shield, Breast Shield Frame, Diaphragm, Cap, Cap Plug, Breast Shield Body, Valve Membrane and Valve Body

### Assembling Expression collection Kit

#### 1. Assembling the Breast Shield

Slot in the ② Breast Shield into ③ Breast Shield Frame and then slot in the ① Dust Cover to form the complete ④ Breast Shield Combo. Then fasten the ④ Breast Shield Combo into the Main Breast Shield Body as illustrated and make sure they are firmly engaged.



#### 2. Assembling the Diaphragm

Place the Diaphragm into Main Breast Shield Body and follow by the Cap onto it as illustrated. Make sure the Cap Plug is plugged into the hole at the Cap and the Cap is tightened securely.

#### 3. Assembling the Valve

Place the Membrane onto Valve Body by pressing the Membrane into the installation hole as illustrated. Make sure the membrane is seated flat and tight with no visible gap. Mount the Valve Body to the Main Breast Shield Body securely as illustrated.



#### 4. Assembling the Bottle and Bottle Stand

Screw the bottle into the connector at the Main Breast Shield Body and place it on the Bottle Stand.

## Connecting Expression collection Kit and Main Pump Unit



### Connecting Tubing

Connect one end of the Tubing to Expression collection Kit and the other end to the Main Pump Unit as illustrated.

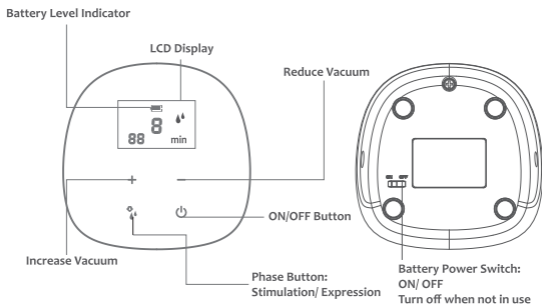
### Connecting to Power Source

Plug the AC Adapter into the wall socket outlet. Attach the Power Cord to Main Pump Unit as illustrated.



# Expression

## Control Panel Description



- Place the breastshield on your breast so that your nipple is properly centred in the tunnel.
- While the Battery Power switch of the main Pump Unit is switched to On position or the main Pump Unit connected to power source, press the On/Off Button to switch on. The 30 minutes timer will start and the pump will begin with the Simulation Phase at Level 1 vacuum on both Left and Right breasts simultaneously for 2 minutes before entering into the Expression Phase at Level 3 vacuum (factory default) .
- If your milk starts to flow earlier, Press the Phase button to toggle between Stimulation and Expression Phase. Make sure the milk is flowing into the bottle properly.
- Press the Phase button will toggle between Stimulation and Expression Phase.
- The vacuum can be adjusted in every phase to your desired strength. Comfort vacuum: Use the + button to increase the vacuum until it is slightly unpleasant. Then press – button to reduce minimally.



- Press the Function Button to select the pump to operate on the Left, Right or Duet.
- In Expression Phase, the vacuum at both left and right of Solo Elite Rechargeable Electric Breastpump can be adjusted individually at desired level. While the pump is operating at the Left press + and – button to set the desired vacuum level for the Left. Repeat the same

## Built-In Battery

The battery is built in and non-removable. Connect the main Pump Unit to the AC Adaptor to charge. When the Battery is full, the Main Pump Unit will turn off automatically.

The battery can be charged in both Operation mode and Standby mode. At full charged, the pump can operate 3 to 4 working cycle. When the battery power is at critically low level, the battery indicator on the LCD will blink continuously, the main Pump Unit will then shutdown.

Turn the Battery Power Switch to Off position if the Breastpump is not used for long period. This will prolong the battery life.

## Storing and Thawing Breastmilk

You should store and thaw your breastmilk correctly. This is the only way you can be sure that all the important nutrients are preserved and bacterial contamination is minimised.

Guidelines for storing / thawing breastmilk

Lacte recommends using the following guidelines for storing and thawing breastmilk. For Healthy Term Babies.

	Freshly expressed breastmilk	Thawed breastmilk (previously frozen)
Room temperature	Do not store at room temperature	Do not store
Refrigerator	3 - 5 days at approx. 4°C	10 hours
Refrigerator freezer compartment	6 months at approx. -16°C	Do not refreeze after thawing!
Freezer	12 months at approx. -18°C	Do not refreeze after thawing!

### Tips for freezing/thawing breastmilk:

- Never fill bottles/bags more than full to allow space for possible expansion.

- Label the bottle/bag with the date you expressed the milk.
- Do not store breastmilk in the refrigerator door. Store it in the lower back area of the refrigerator, where the temperature is coolest.
- Thaw frozen breastmilk in the refrigerator overnight or hold the bottle or bag under running warm water (max. 37° C).
- Shake the bottle or bag gently to blend any fat that has separated.
- Do not thaw frozen breastmilk in a microwave oven or in a pan of boiling water (danger of burning).

## Cleaning

Before using your Lacte Solo Elite Rechargeable Electric Breastpump, disassemble, wash and sterilise all parts of the Expression Collection Combo kit.

- Do NOT sterilise tubing or tubing adapter
- Completely air-dry or towel-dry before reassembly for next use.

Partially dry components may affect the operation of your Electric Breastpump. Please ensure that all parts are completely dry before use.

### **Before Each Use:**

- Wash your hands thoroughly with soap and warm water before handling the Expression Collection Combo Kit, the Electric Breastpump or any other attachments.
- Make sure the Expression Collection Combo Kit is cleaned, sterilised and dried.
- Ensure the tubing is free from any liquid. Do NOT operate your Lacté Solo Electric Breastpump if any liquid is visible in the tubing. (See Tubing Cleaning Instructions on page 8.)

### **General Cleaning Instructions:**

- Set aside the tubing and tubing connector. Under the normal working conditions of the pump, the diaphragm would prevent the back-flow of milk. Therefore, these items do not need to be washed. In case of finding any liquid or liquid vapor inside the tubing, follow the Tubing Cleaning Instruction carefully before use.
- All parts of the Expression Collection Combo Kit may be cleaned in the upper compartment of your dishwasher or hand washed with dish soap in hot water.

- Do NOT use solvents or abrasives.
- Rinse with hot, clean water.
- To clean the Electric Pump Base, wipe the Base with a damp cloth, using only water or water mixed with a mild soap

### **Tubing Cleaning Instructions:**

- Wipe the outside of the tubing with a clean, damp cloth. Avoid getting water or other fluids inside the tubing.
- If liquids are found inside tubing, rinse the tubing with clean hot water. Hang to AIR DRY COMPLETELY BEFORE USING. Do NOT insert any object into tubing.

Note: Before each use, visually inspect the individual components for cracks, chips, tears, discoloration or deterioration; as they may affect the efficiency of the Lacté Solo Elite Rechargeable Electric Breastpump. In the event that damage to the device is observed, please discontinue use until the parts have been replaced.

## Troubleshooting

### **If there is low or no suction**

- Check all connections if they are all properly attached at all connection points.
- Check the valve membrane if it is seated securely and flat on the valve body.
- Hold the breastshield, not the connector or bottle, while expressing.
- Ensure the breastshield forms a complete seal around the breast.
- There should not be any water in the tubing.
- All components must be completely dry

### **The pump becomes wet**

- Unplug the mains adapter from the socket.
- Switch off the pump
- Do not place the pump upside down. Control panel must point upwards.
- Store the pump in a dry, warm place for 24 hours.

Note:

Do not expose the pump to direct sunlight.

Do not accelerate the drying process by use of heat.

### **The pump does not switch on**

- Check if the power chord is properly attached to the pump
- Check if the wall socket outlet is turned on
- Contact your Lacté dealer or the store where you bought the pump